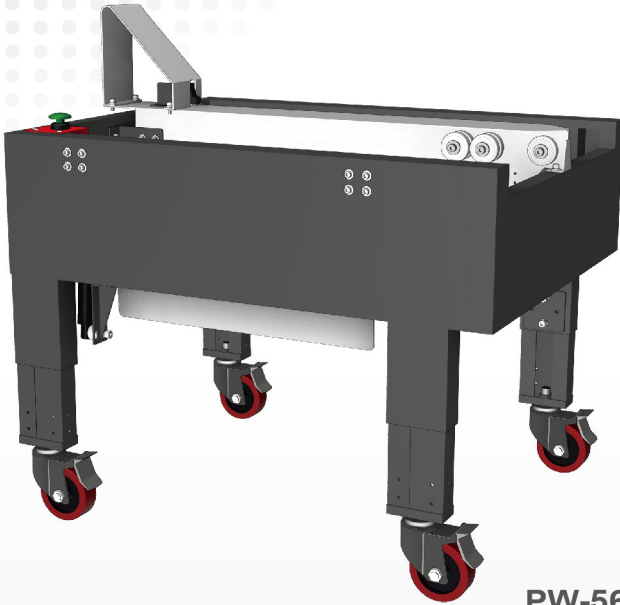


## Carton Erectors



PW-563BE

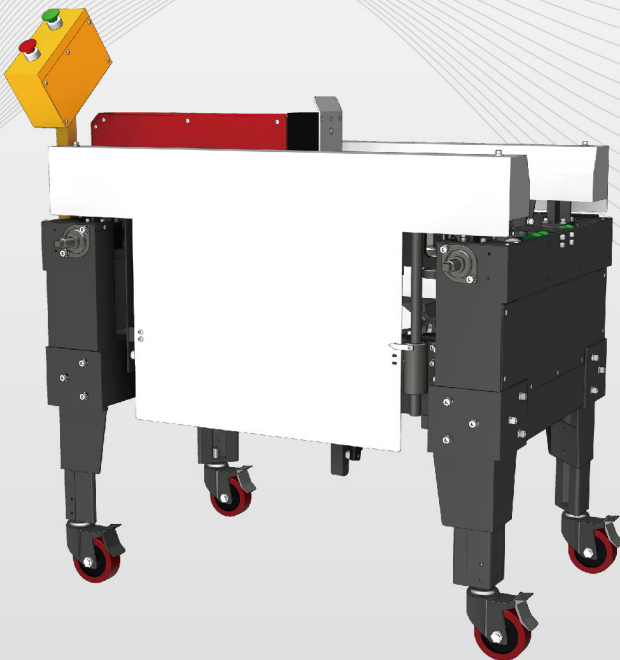
### **PW-563BE Box Folding Pack Station**

BE: Basic and Economic

Power	Pneumatic drive, requirement 6kgf/cm <sup>2</sup> (137.64L/min.)
Folding Size	L250~500 x W200~500 x H150~500 mm
Capacity	Depends on carton positioning speed
Machine Size	L1004 x W700 x H600~900 mm

### **Options**

- In Stainless Steel Structure #304



PW-563P

### **PW-563P Box Folding Pack Station**

P: With Push Carton Device

Power	Pneumatic drive, requirement 6kgf/cm <sup>2</sup> (137.64L/min.)
Folding Size	L250~500 x W200~400 x H100~500 mm
Capacity	Depends on carton positioning speed
Machine Size	L1117 x W862 x H1106~1306 mm

### **Options**

- In Stainless Steel Structure #304